

SEETRONIC

Product Data Sheet

Product Type

Power Socket

Product Model

SAC3MPB

Customer Name

Manufacturer	Prepared	Checked	Approved

Customer	Received	Checked	Confirmed



Product Data Sheet

Product Type	Power Socket	
Product Model	SAC3MPB	

Product Features

- Lockable three-core power device AC socket connector with contacts for line, neutral and pre-adapted safety grounding
- High current capacity rated at 20A/250V AC
- Quick and easy locking system
- UL Certification No. E359036
- VDE Certification No. 40044166



Product Data Sheet

Electrical Parameters

Item	Specification
Number of Contacts	2 + PE
Rated Current	20A
Rated Voltage	250V AC
Contact Resistance	$\leq 5 \text{ m}\Omega$
Dielectric Strength	4000V DC
Insulation Resistance	$> 1000 \text{ M}\Omega$

Mechanical Parameters

Item	Specification
Service Life	> 1000 mating cycles
Cable Size	2.5mm ²



Product Data Sheet

Material and Environmental Parameters

Item	Specification
Housing	PA
Contacts	Cu alloy
Contact plating	Ag
Flame-retardant grade	UL 94-V0
Temperature range	-30°C ~ +80°C

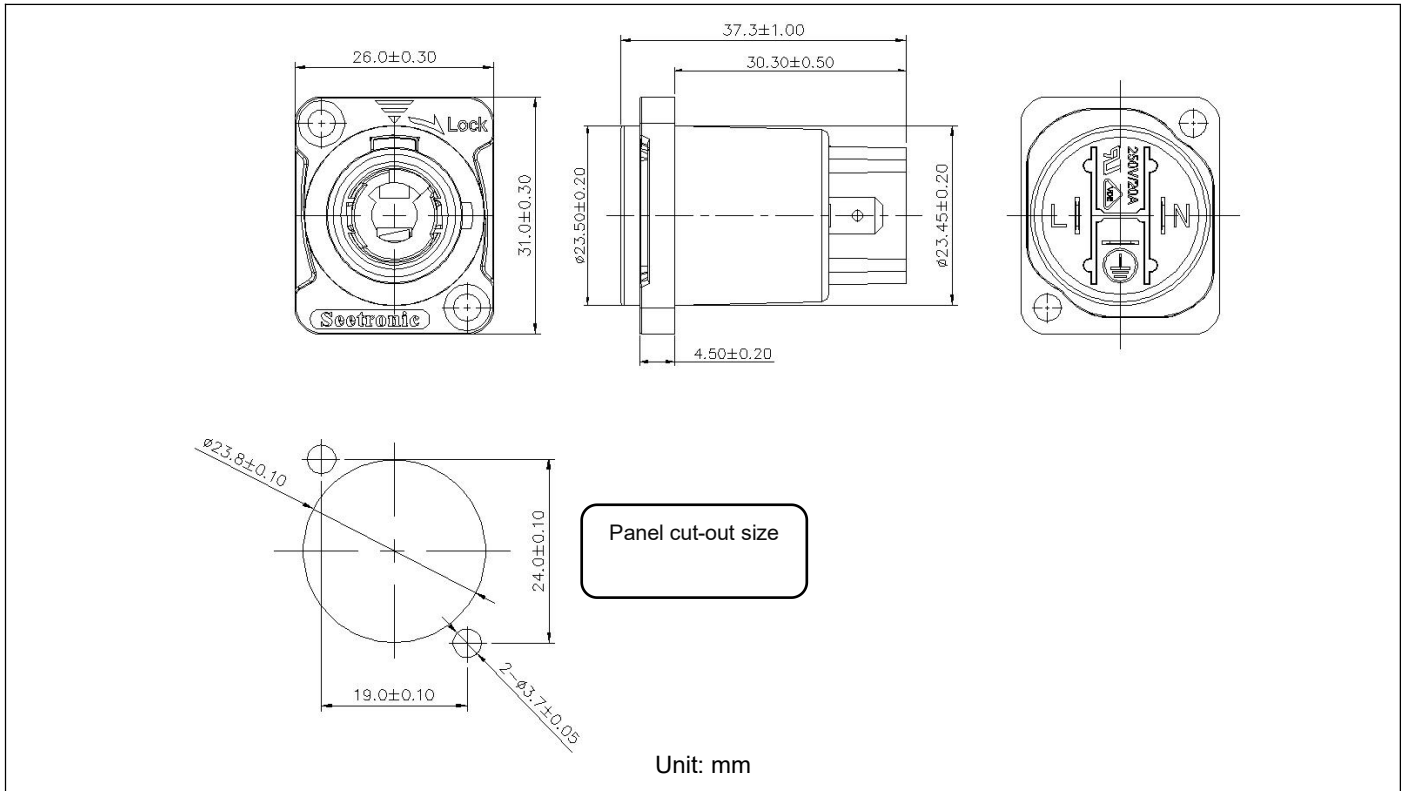
Standards and Certifications

Standards	UL1977 IEC61984 IEC60320-1 GB/T 34989
Certifications	UL: E359036 VDE: 40044166 TUV: N8A1083360006 CQC:CQC23003410678



Product Data Sheet

Product Drawing



Packaging Method

Blister box packaging

20 pcs per blister box, 100 pcs per inner carton, 5 inner cartons per master carton (500 pcs per master carton)

Accessory

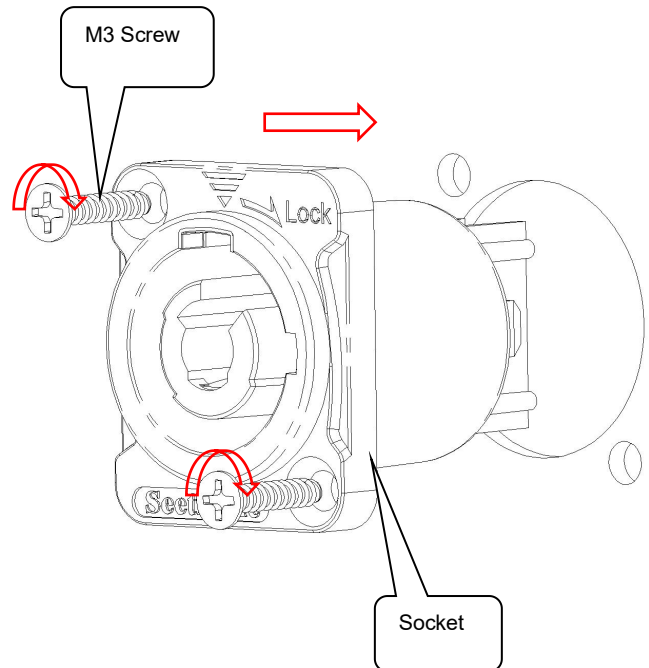
- | | |
|--|--|
| <input checked="" type="checkbox"/> No accessories | <input type="checkbox"/> Back fastener plate |
| <input type="checkbox"/> Screws and Nuts | <input type="checkbox"/> Other |



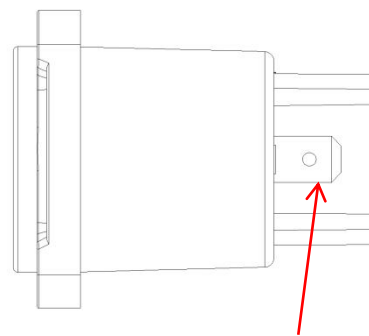
Product Data Sheet

Assembly Instructions

Install the socket on the front of the panel and tighten the screws with 0.5 Nm torque in clockwise direction.



Type of Terminals



Soldering / plugging 4.5x0.5 terminals

